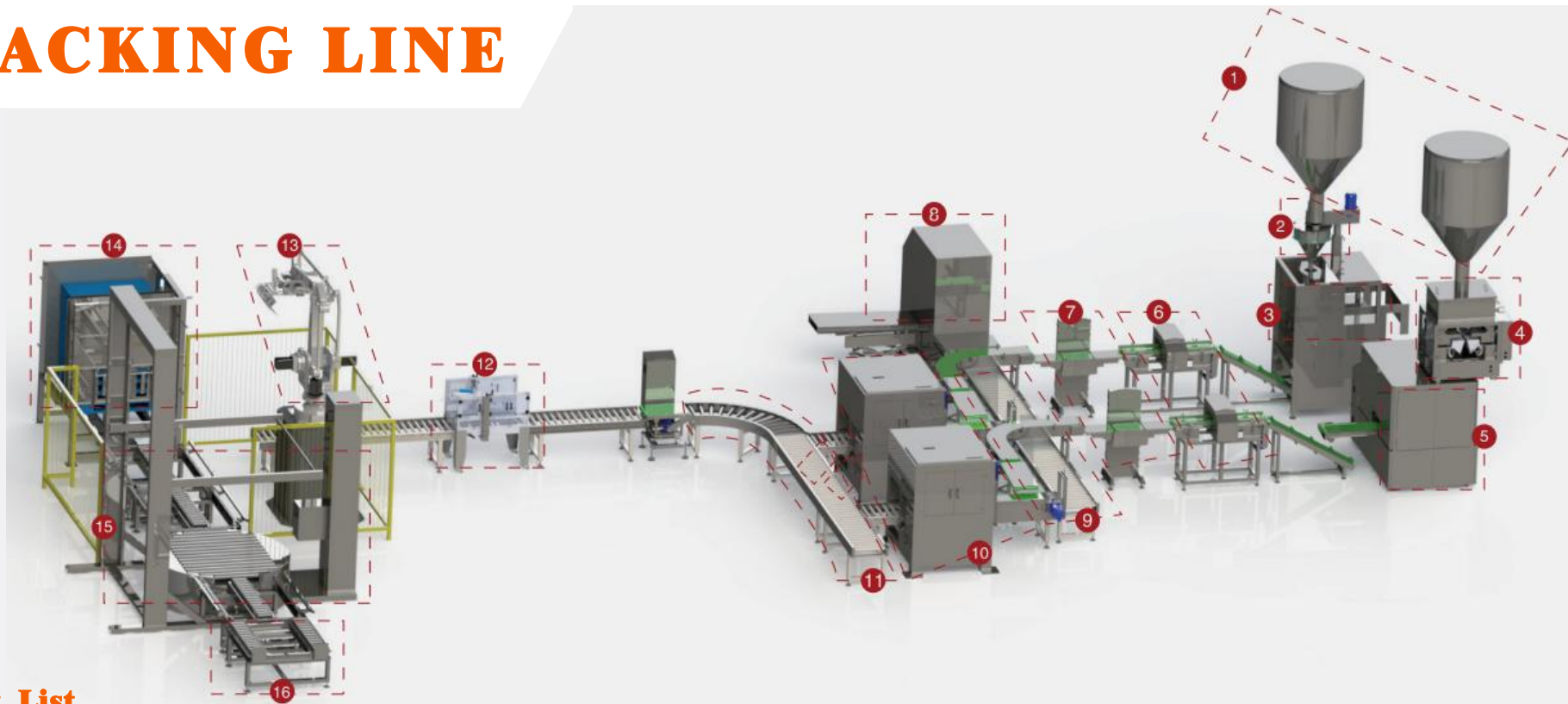




Joinautomation

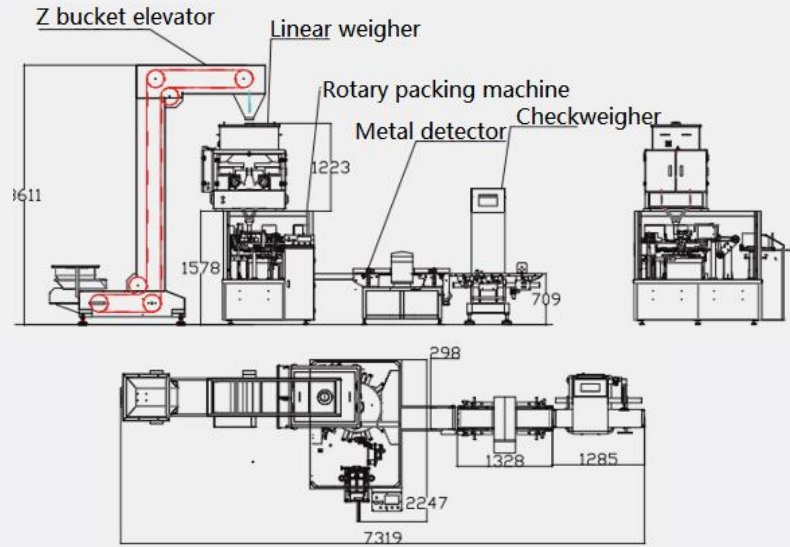
0-5KG PACKING LINE



Equipment List

1	Hopper	5	Pre-made bag packing machine	9	Bag sort conveyor	13	Palletizer
2	Screw weigher	6	Metal detector	10	Case packer	14	Pallet dispenser
3	VFFS packing machine	7	Checkweigher	11	Case out conveyor	15	Wrapping machine
4	Vibrating weigher	8	Case erector	12	Case sealer	16	Output conveyor

ROTARY PACKING MACHINE



Bag clamping



Dosing & Re-weighing

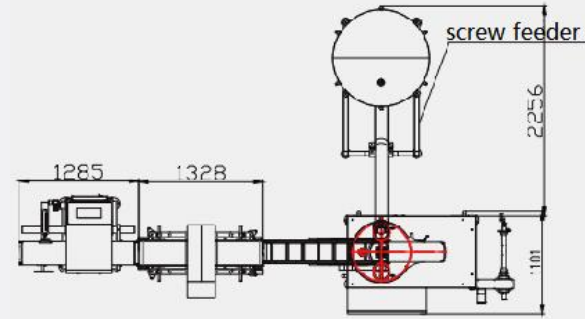
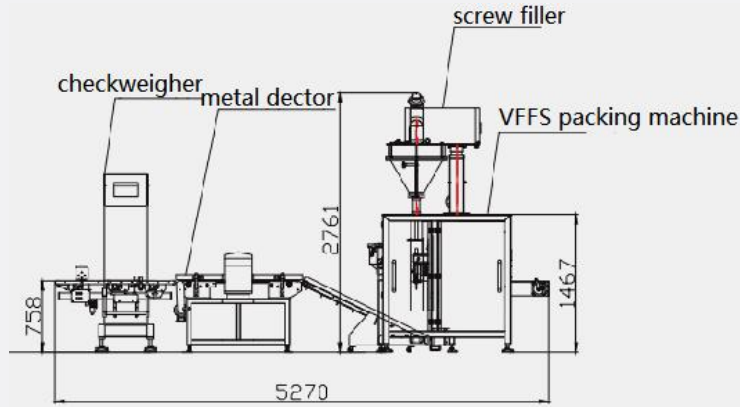


Sealing & Shipping

Technical Parameters

Model	Bag size (mm)	Bag type	Packing speed (B/M)	Power (K W)	Overall dimension (mm)	Voltage
JAB-G 10-210	L:120-300 W:90-210	premade bag (flat bag, self-standing	6-55	3.5	2100*1280*1580	AC 220V 50-60HZ
JAB-G 10-300	L:120-400 W:140-300		6-55		2300*1600*1600	
JAB-G 10DCS -210	L:120-300 W:90-210	bag, zipper bag, handbag, M bag, etc)	6-45		2100*1280*1580	
JAB-G 10DCS -300	L:120-400 W:140-300		6-45		2300*1600*1600	

VFFS PACKING MACHINE



Dust removal and nitrogen filling



Vacuum film pulling



Nonpower dust removal

Technical Parameters

Model	Bag size (mm)	Packing speed (B/M)	Power (KW)	Overall dimension (mm)	Voltage
JAB-L320	L:70-200	15-95	7.0	1350*1100*2350	AC 220V 50-60HZ
JAB-L460	L:70-330	15-70	3.0	1770*1105*1500	
JAB-L620	L:70-450	15-60	4.2	2070*1275*1930	
JAB-L720	L:70-500	15-60	4.91	2050*1550*1800	

DETECTING DEVICE



Inspecting range	5-3000g
Inspecting accuracy	$\pm 0.2 - \pm 1.5g$
Detecting speed	20-80bgs/min
Voltage	220V, 50/60HZ



Inspecting range	50-400mmW 20-300mmH
Inspecting accuracy	$FE \geq 0.5$
Detecting speed	15-60bgs/min
Voltage	220V, 50/60HZ, 0.2KW

3 IN 1 CASE PACKER

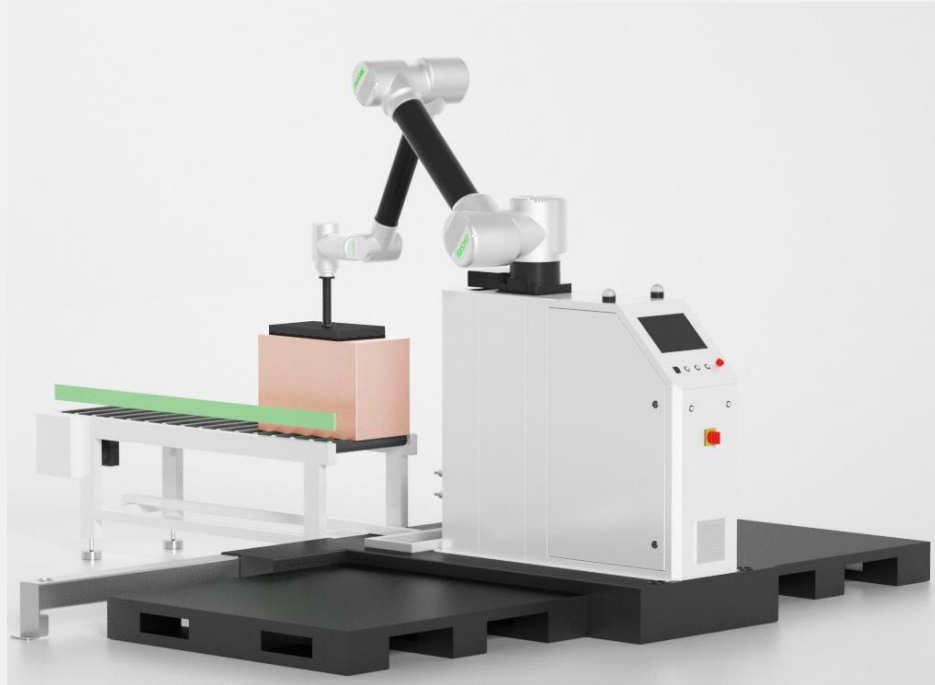


Model No.	WSC-CP1200SS-F	WSC-CP1200SS-I	WSC-CP1200CS-F	WSC-CP1200CS-I
Frame Material	304 Stainless steel		Carbon steel	
Infeed Conveyor Type	Flat belt conveyor	Indexing conveyor	Flat belt conveyor	Indexing conveyor
Features	Low footprint, Flexible production, Easy to use			
Applicable Product	Bags & Pouches			
Applicable Product Size	10g-2000g (L50-500*W50-450*H5-100 mm)			
Applicable Case Size	L260-500,W200-450*H150-400 mm			
Packing Speed	40-80 Picks per min \ 8 Cases per min	80-140 Picks per min \ 8 Cases per min	40-80 Picks per min \ 8 Cases per min	80-140 Picks per min \ 8 Cases per min
Power	8kw			
Applicable Power Source	One phase,220V \ Three phase,380V \ Customization			
Pneumatic Supply	0.6-0.8MPa			
Air Consumption	420NL/min			
Noise Level	≤75dB			
Protection	IP54			
Operating Temperature	-5~45°C			
Operating Humidity	≤75%(No Condensation)			
Life Span	20,000+ Hours			
Supported Protocols	Modbus-TCP,EtherCAT,CAN,RS232/485			
Weight	2000KG			
Overall Size	L4192*W2688.48*H2617MM			
Package Size	L4400*W1800*H2400MM			

Configurations

Servo Motor and Controller	Panasonic
Reducer/Gearbox	LeaderDrive/Nidec-Shimpo
Motor	DELTA
PLC	KEBA
Vacuum pump	BECKER
Vision System	HIKVision
Pneumatic Components	AirTAC/SMC
Electronic Components	Schneider&Omron

PALLETIZER

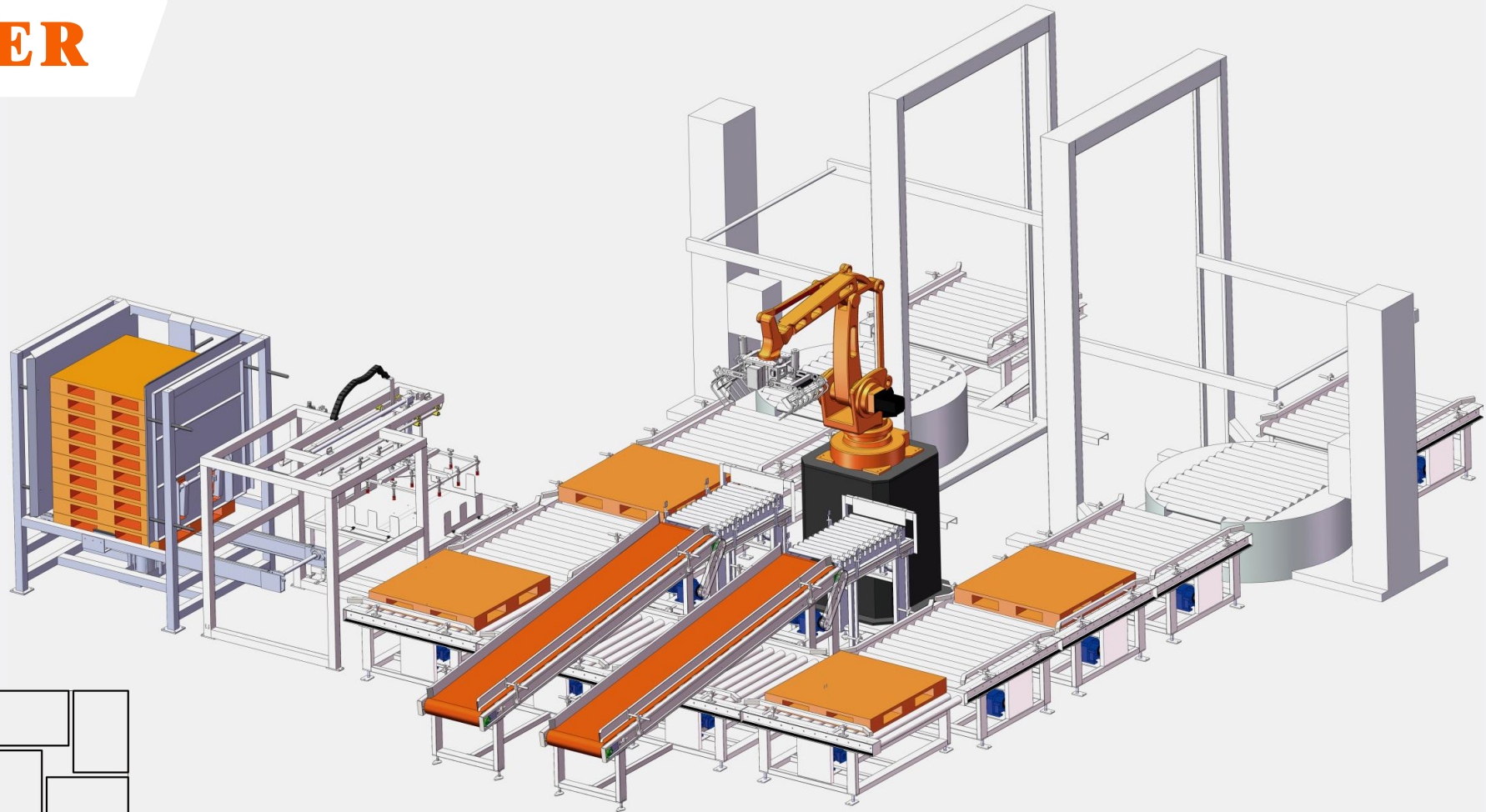


Model No.	WSC-RP16F	WSC-RP16L	WSC-RP20F	WSC-RP20L	WSC-RP30F	WSC-RP30L
Base Style	Fixed	Lifting	Fixed	Lifting	Fixed	Lifting
Max Load	16kg		20kg		30kg	
Working Radius	1900mm		1600mm		1460mm	
Palletizing Height (including pallet)	1700mm	2300mm	1500mm	2100mm	1500mm	2100mm
Speed	6-12 PPM		6-10 PPM		5 PPM	
Pallet Size	≤1300*1300mm		≤1200*1200mm		≤1100*1200mm	
Applicable Case Size	N/A		≥L200W200H200mm when pallet size ≥1000*1000mm		≥L200W200H200mm when pallet size ≥1000*1000mm	
Footprint	L3590*W1735mm					
Supported Protocols	Modbus-TCP, EtherCAT, CAN, RS232/485					
Power	2.25KW	3KW	2.25KW	3KW	2.75KW	3.5KW
Protection	IP54					
Applicable Power Source	200-240V, 50/60HZ, 1Phase					
Operating Temperature	0-55°C					
Weight	500KG	520KG	490KG	500KG	490KG	500KG
Package Size	2000*1600*1750mm					

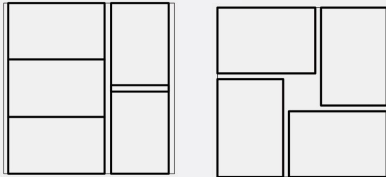
Configurations

Servo Motor and Controller	Panasonic
Reducer/Gearbox	Nidec-Shimpo/LaifualDrive
Controller/PLC	KEBA
Pneumatic Components	AirTAC

PALLETIZER



Pallet pattern



Advantages

Programmable various palletizing pattern

Maximum palletizing height up to 2300mm

Pick up working capacity up to 1200 packages per hour

Complete safety fence to ensure safe and reliable operation

Compact design make quick installation and commissioning

Virious gripper forms able to take bags, boxes, pallets and cardboard

Robot option choice for KUKA, ABB, FANUC, KAWASAKI, YASKAWA, OKURA, FUJI